

Model	FI-915
Measuring principle	Optical interferometric
Target gas ^{*1}	Solvent vapors in air (See "Target Gas List" on inside page.)
Measurement range ^{*1}	0 to 100 %LEL
Gas alarm setpoints	25 %LEL (1st alarm) / 50 %LEL (2nd alarm)
Measurement accuracy ^{*1}	±3 %LEL (under identical conditions)
Response time ^{*1}	T90 within 15 seconds ^{*2}
Installation type	Rack-mounted (multi-stage mounting possible)
Sampling method	Suction (minimum suction flow rate 1.0 L/min at 20 °C)
Display	LCD concentration readout, maintenance indications, LED lamp status indications
Concentration output	4 to 20 mA DC (current discharge type), maximum permissible load resistance 300 Ω
Digital output	RS-485 Modbus output function (option)
Transmission cable	CVVS or equivalent cable (1.25 mm ²), 2-core
Gas alarm contact output 1	No-voltage contact; contact capacity 1 A, 240 V AC / 1 A, 30 V DC (resistance load)
Gas alarm contact output 2	No-voltage contact; contact capacity 1 A, 240 V AC / 1 A, 30 V DC (resistance load)
Fault contact output	No-voltage contact; contact capacity 1 A, 240 V AC / 1 A, 30 V DC (resistance load)
Contact cable	CVV or equivalent cable (1.25 mm ²), 2-core
Self-diagnostic function	Reduced light intensity, reduced contrast, air pressure abnormality, temperature abnormality, reduced flow rate, etc.
Power source	100 to 240 V AC ±10 %, 50/60 Hz
Power consumption	Maximum 28 VA (with 100 V AC), maximum 38 VA (with 240 V AC)
Power supply cable	CVV or equivalent cable (1.25 mm ²), 2-core
Operating ambient temperature/humidity range	-10 °C to +50 °C, maximum 95 %RH (no condensation of water/gas inside product)
Operating pressure range	Atmospheric pressure (with no surging)
External dimensions/weight	Approx. 370 mm (W) × 150 mm (H) × 269 mm (D) / Approx. 6 kg
Functions	Temperature/pressure correction function (always on), automatic zero adjustment function (standard: off/can be set) Zero suppression function (standard: off/can be set), setting value backup function using SD card

*1: Target gas, measurement range, measurement accuracy, response rate differ for individual target gases. For more information, refer to the separate target gas specifications.

*2: Response time is defined as the time from startup to 90 % output when gas is introduced via GAS IN on the main unit.

Ideal for explosion prevention control inside drying ovens!

Optical Interferometric Gas Monitor

Model FI-915



- Rapid response, long-term consistency, and easy operation; no warmup needed
- No sensitivity deterioration due to silicon
- Features temperature and atmospheric pressure correction functions.
- Supports up to eight different gas types.
* Can be specified at time of purchase
- Increased size LCD screen for improved visibility
- Allows easy pump unit replacement.
- Fully compatible with previous FI-815A model

RIKEN KEIKI Co., Ltd.

Head office: 2-7-6 Azusawa, Itabashi-ku,
Tokyo, 174-8744, Japan
Tel: +81-3-3966-1111
Fax: +81-3-3558-0043

Website: <http://www.rikenkeiki.co.jp/>

[Sales offices]

Sapporo	Tel: +81-11-757-7505	Kanazawa	Tel: +81-76-240-7080
Sendai	Tel: +81-22-722-7835	Osaka	Tel: +81-6-8350-5871
Tsunooka	Tel: +81-235-28-3158	Kobe	Tel: +81-78-281-3031
Mito	Tel: +81-29-308-9321	Mizushima	Tel: +81-86-446-2702
Saitama	Tel: +81-48-568-5090	Shikoku	Tel: +81-897-37-3775
Chiba	Tel: +81-43-497-6303	Hiroshima	Tel: +81-82-875-4151
Kanagawa	Tel: +81-45-476-7581	Tokuyama	Tel: +81-834-27-5121
Hamamatsu	Tel: +81-53-437-9421	Fukuoka	Tel: +81-92-682-1161
Nagoya	Tel: +81-52-822-1031	Kumamoto	Tel: +81-96-373-1230
Yokkaichi	Tel: +81-59-333-7221	Oita	Tel: +81-97-523-3811

* The information provided in this catalog is subject to change without notice to allow product improvements.

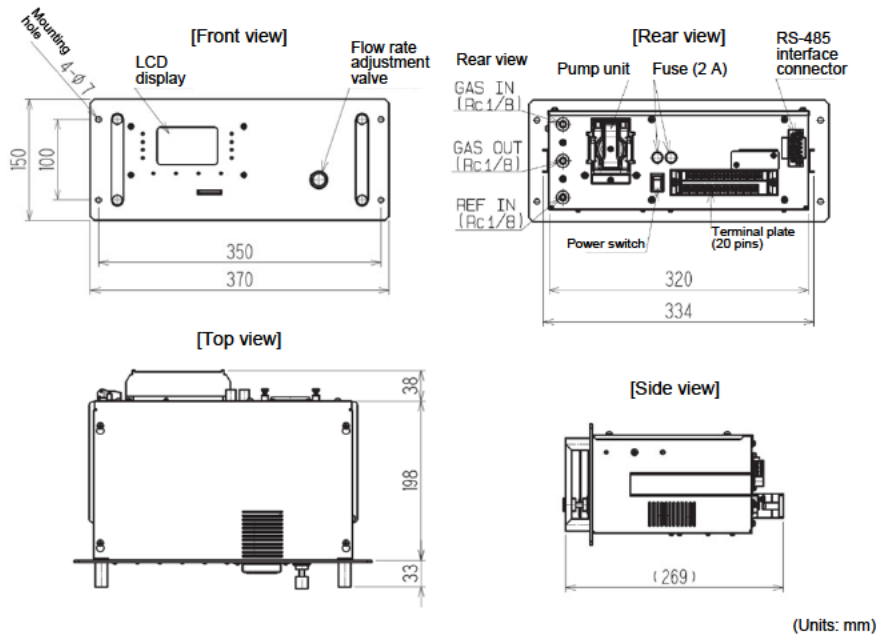
Target Gas List

Select up to eight different gas types from the following gas list at the time of purchase:

Target gas	LCD display	Measurement range	Measurement accuracy	Response time (T90)
*Toluene	C7H8 in A R	0 to 100 %LEL	±3 %LEL	Within 15 seconds
*Ethyl acetate	EtAc in A R	0 to 100 %LEL	±3 %LEL	Within 15 seconds
*Methyl ethyl ketone	MEK in AIR	0 to 100 %LEL	±3 %LEL	Within 15 seconds
*Isopropyl alcohol	IPA in A R	0 to 100 %LEL	±3 %LEL	Within 15 seconds
*Methanol	CH3OH in AIR	0 to 100 %LEL	±3 %LEL	Within 15 seconds
*Ethanol	C2H5OH in A R	0 to 100 %LEL	±3 %LEL	Within 15 seconds
*Methyl isobutyl ketone	MIBK in A R	0 to 100 %LEL	±3 %LEL	Within 15 seconds
*Xylene	C8H10 in AIR	0 to 100 %LEL	±3 %LEL	Within 15 seconds
Tetrahydrofuran	THF in A R	0 to 100 %LEL	±3 %LEL	Within 15 seconds
Styrene	C8H8 in A R	0 to 100 %LEL	±3 %LEL	Within 15 seconds
Methyl acetate	MeOAc in AIR	0 to 100 %LEL	±3 %LEL	Within 15 seconds
Acrylonitrile	C3H3N in AIR	0 to 100 %LEL	±3 %LEL	Within 15 seconds
Cyclopentane	C5H10 in AIR	0 to 100 %LEL	±3 %LEL	Within 15 seconds
Normal heptane	n-C7H16 in AIR	0 to 100 %LEL	±3 %LEL	Within 15 seconds
Methyl methacrylate	MMA in AIR	0 to 100 %LEL	±3 %LEL	Within 15 seconds
n-propyl acetate	nPAC in AIR	0 to 100 %LEL	±3 %LEL	Within 15 seconds
Vinyl acetate	VAc in AIR	0 to 100 %LEL	±3 %LEL	Within 15 seconds
Vinyl chloride	VCM in AIR	0 to 100 %LEL	±3 %LEL	Within 15 seconds
Butyl acetate	C6H12O2 in AIR	0 to 100 %LEL	±3 %LEL	Within 15 seconds

*Gas types provided as standard unless otherwise specified by the customer

Exterior drawings



Ensures safety in all work locations where drying ovens are used!

Example of installation on photogravure printing press

