

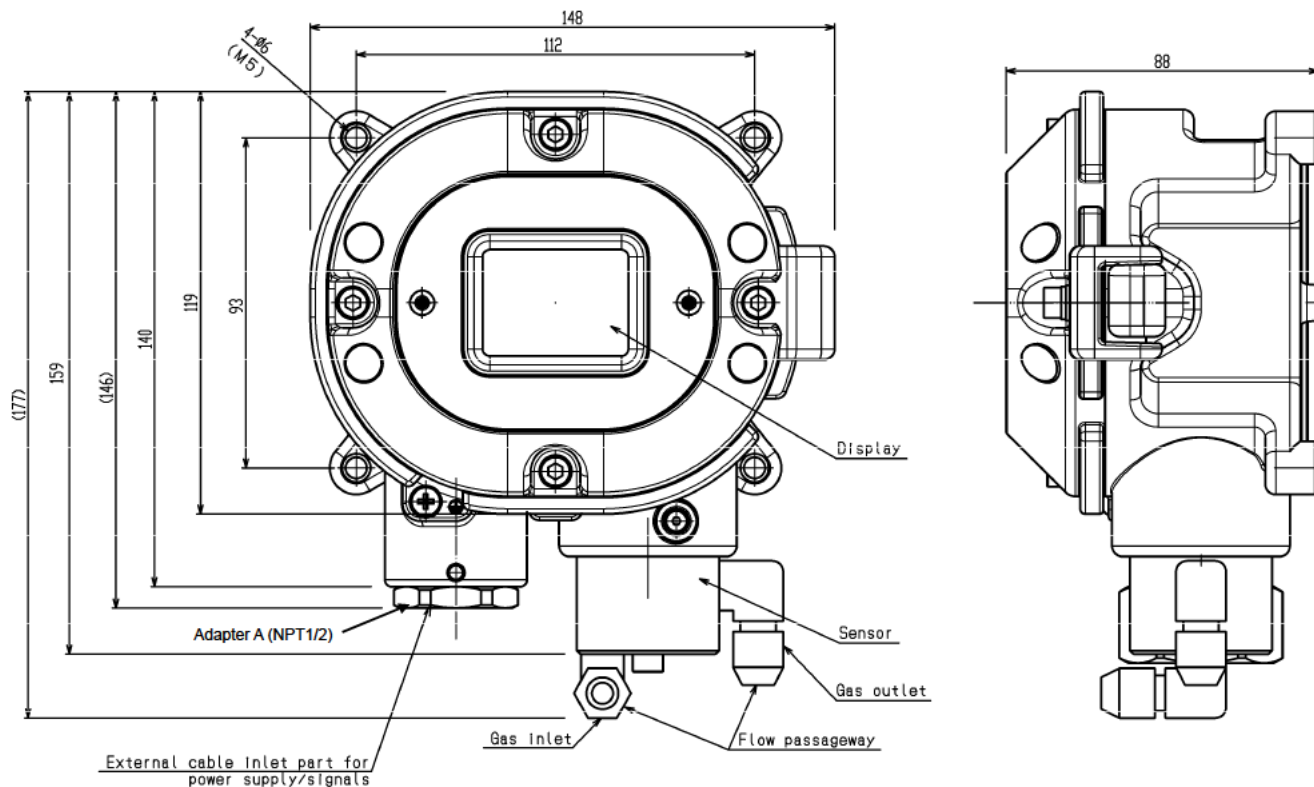
## GAS DETECTOR WITH SIGNAL CONVERTER SD-1DRI (ATEX-IECEX) SPECIFICATION

Model	SD-1DRI
Detection principle	Non-dispersive infrared absorption method
Detection gas* <sup>1</sup>	Combustible gas
Concentration display	LED(4digits・7segments)
Detection range* <sup>1</sup>	Depend on detection gas
Resolution	Depend on detection gas
Detection method	Suction method(pour into by external unit)
Suction flow	1.0±0.1L/min
Alarm setpoints* <sup>1</sup>	Depend on detection gas
Power display	POWER lamp lighting(green)
External output* <sup>1</sup>	Gas concentration signal/Alarm contact(Gas alarm or Fault alarm or Gas・Fault common alarm)
Indicate accuracy (under an identical condition)	Within ±5%FS(Repeatability: Within ±2%FS)
Response time (under an identical condition)	Within 60sec(T90)
Gas alarm type	Single alarm(H)
Gas alarm display	ALM lamp lighting(red)
Gas alarm pattern	Auto-recover
Fault alarm・Self diagnosis	System failure(E-9)/Sensor failure(E-1)
Fault alarm display	FAULT lamp lighting(yellow)/content display
Fault alarm pattern	Auto-recover
Alarm contact* <sup>1</sup>	No-voltage contact 1a or 1b・Non-exciting at normal(exciting at alarm) or exciting at normal(non-exciting at alarm)
Contact capacity	250VAC・0.5A/30VDC・0.5A(resistive load)
Transmission scheme	Three-wire analog transmission (in common with power supply<power supply, signal, common>)
Transmission specification	4 - 20mADC(linear・load resistance under 300Ω)
Transmission cable	CVVS 1.25mm <sup>2</sup> or 2.0mm <sup>2</sup> - 3-core(when the contact is not used) CVVS 1.25mm <sup>2</sup> or 2.0mm <sup>2</sup> - 5-core(when the contact is used)
Transmission distance	1.25km or less in case of CVVS 1.25mm <sup>2</sup> 2.0km or less in case of CVVS 2.0mm <sup>2</sup>
Functions	Alarm delay/suppression/zero follower
Power supply	24VDC±10%
Power consumption	MAX. 2W
Cabling port* <sup>1</sup>	Adapter A<NPT1/2> or adapter B<NPT3/4> or adapter<M20×1.5> or Pressure proof packing gland <G3/4> (Compatible cables φ9.6 - 13.0mm in outer diameter)
Piping port* <sup>1</sup>	Rc1/8(with BS half union<for Cu pipe> or SUS half union<for SUS pipe> or PP half union<for PTFE pipe> for 0.Dφ6-1t)
Initial clear	Approx. 25sec
Operating temperature* <sup>2</sup>	Depend on detection gas(non-rapidly-vary)
Operating humidity	Below 95%RH(non-condensing)
Structure	Wall mounting type
Explosion-proof structure	Flame proof structure
Explosion-proof grade	II 2G Ex db IIC T6 Gb(ATEX) / Ex db IIC T6 Gb(IECEX)
Dimension	Approx. 148(W) × 177(H) × 88(D)mm(projection portions excluded)
Weight	Approx. 2.2kg
Color	Munsell 7.5BG5/2

\*1 Please specify your request when ordering.

\*2 The ambient temperature range which maintain a capability of explosion proof of the label on the detector is -20~+60°C. However, the available operating temperature range is different depending on detectable gas.

**Outline Drawings**



**Terminal Drawings**

DC24V	DC+	1
	- (common)	2
4-20mA	Sig+	3
	Alarm contact	4
	Alarm contact	5