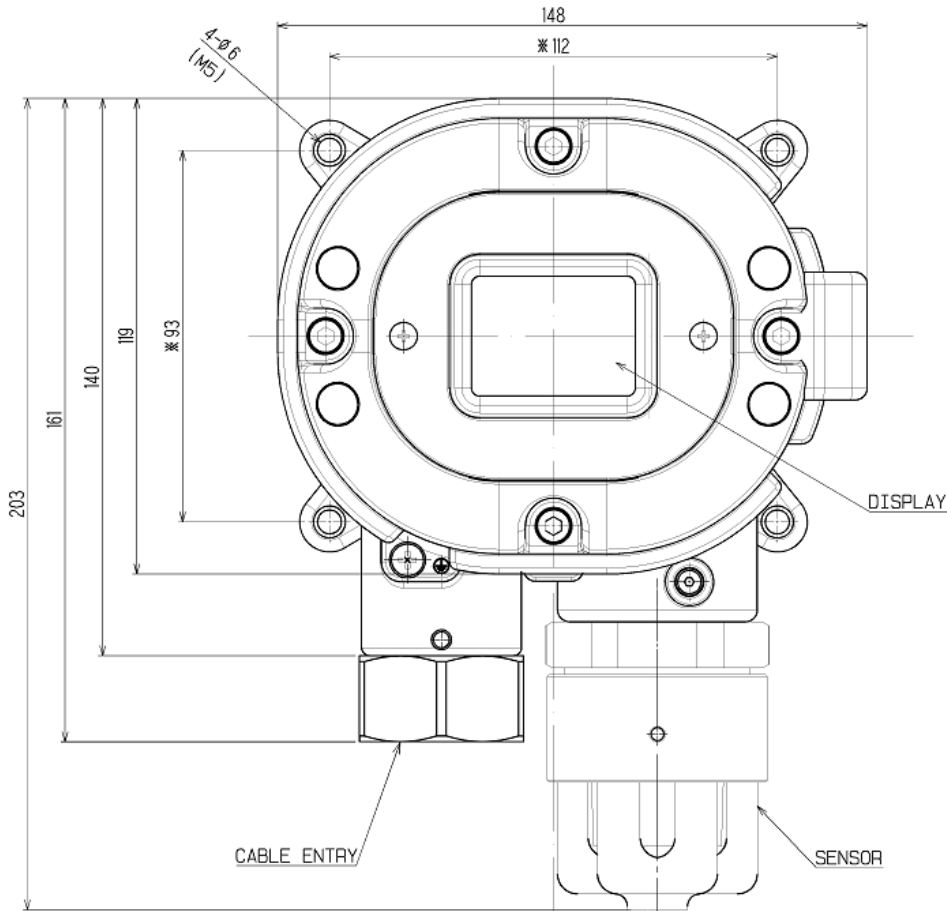


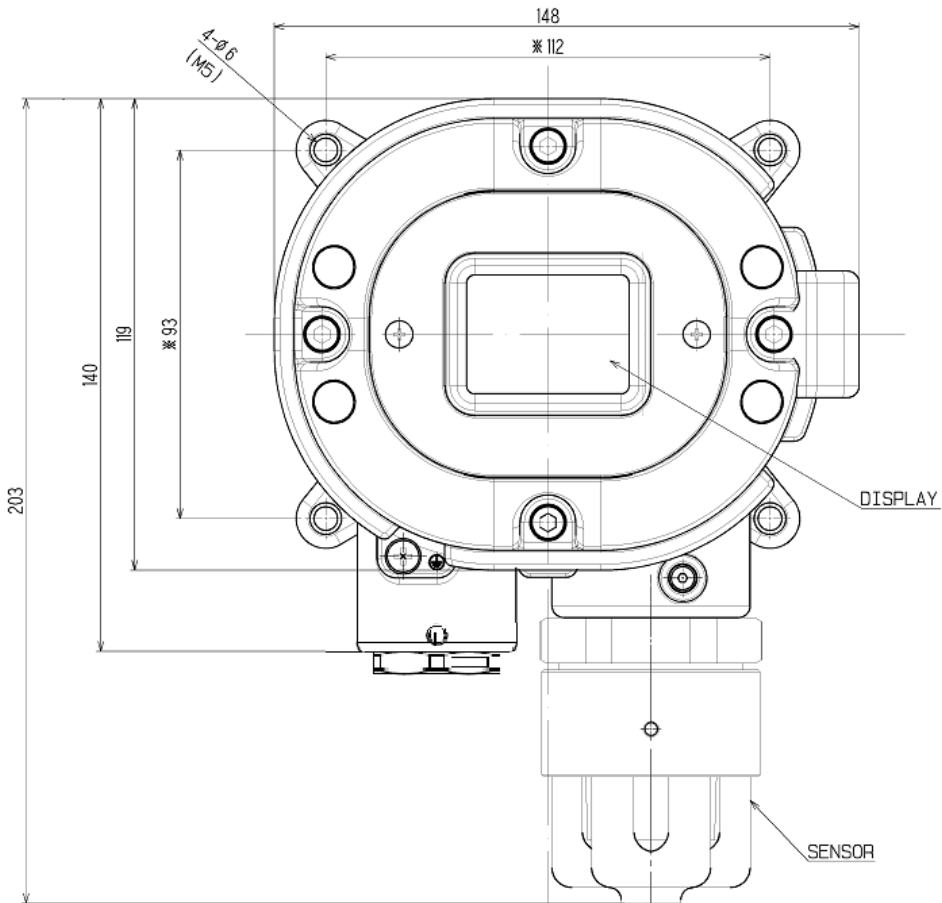
GAS DETECTOR WITH SIGNAL CONVERTER SD-10X (ATEX - IECEx/Anoxia alarm) SPECIFICATION

Model	SD-10X
Detection principle	Galvanic cell method
Detectable gas	O ₂
Gas concentration display	LED(4digits・7segments)
Measuring range	0~25vol%
Detection method	Diffusion method
Alarm preset point	18vol%(L) 【Standard】
Power indication	POWER lamp lighting(green)
Output	Gas concentration signal Alarm contact(Gas alarm or Trouble alarm or Gas・Trouble common alarm)
Indicate accuracy (under an identical condition)	Within ± 0.7 vol%
Response time (under an identical condition)	Within 30sec(T90)
Gas alarm type	Single alarm(L)
Gas alarm indication	ALM lamp lighting(red)
Gas alarm action	Auto-recover
Trouble alarm・Self diagnosis	System failure/Sensor failure
Trouble alarm indication	FAULT lamp lighting(yellow)/content display
Trouble alarm action	Auto-recover
Alarm contact	No-voltage contact 1a・Non-exciting at normal(exciting at alarm) or exciting at normal(non-exciting at alarm)
Contact capacity	AC250V・0.5A/DC30V・0.5A(resistive load)
Transmission scheme	Three-wire analog transmission (in common with power supply<power supply, signal, common>)
Specification of Transmission	DC4~20mA (linear・load resistance less than 300 Ω ・resolution ability 250division)
Transmission cable	Control-use shield cable(AWG 16)・3-core or 5-core(by using alarm contact)
Transmission distance	Less than 1.25km
Power supply	DC24V(DC17~26.4V)
Power consumption	MAX. 1.1W
Cabling port	Flame proof packing method (Cable gland<G3/4> or Adapter A<NPT1/2> or Adapter B<NPT3/4>)
Initial clear	Approx. 25sec
Operating temperature	-10~40°C(non-rapidly-vary)
Operating humidity	Less than 95%RH(non-condensing)
Structure	Wall mounting type
Explosion-proof structure	Flame proof structure
Explosion-proof grade	II 2G Ex db IIC T6 Gb(ATEX) / Ex db IIC T6 Gb(IECEx)
Outer dimension	Approx. 148(W) × 208(H) × 88(D)mm(projection excluding)
Weight	Approx. 2.5kg
Color	Munsell 7.5BG5/2

Outline Drawings
【Cable gland<G3/4>】



【Adapter A<NPT1/2>】



Terminal Drawings

DC24V	DC+	1
	—(common)	2
4-20mA	Sig+	3
	Alarm contact	4
	Alarm contact	5