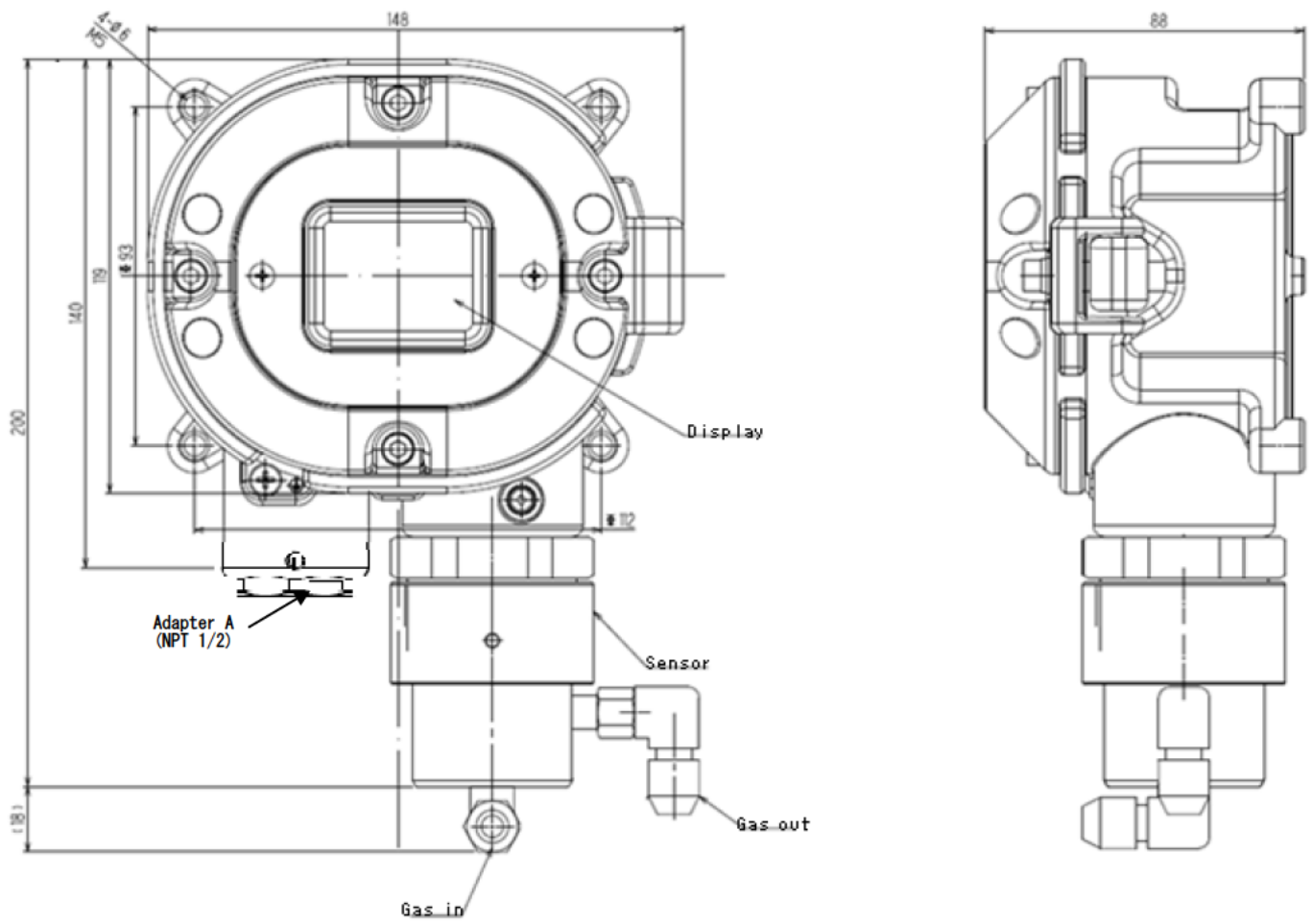


GAS DETECTOR WITH SIGNAL CONVERTER SD-1DEC (ATEX - IECEx) SPECIFICATION

Model	SD-1DEC
Detection principle	Electrochemical method
Detectable gas	H ₂ S/CO
Gas concentration display	LED(4digits・7segments)
Measuring range	H ₂ S : 0~30ppm or 0~50ppm or 0~100ppm CO : 0~75ppm or 0~150ppm or 0~200ppm or 0~250ppm or 0~300ppm
Detection method	Suction method(pour into by external unit)
Suction flow	1.5±0.1L/min
Alarm preset point	Depend on Detectable gas
Power indication	POWER lamp lighting(green)
Output	Gas concentration signal Alarm contact(Gas alarm or Trouble alarm or Gas・Trouble common alarm)
Alarm accuracy (under an identical condition)	Within ±30% to the alarm setpoint value
Alarm-delay time (under an identical condition)	Within 30sec(when introducing 1.6 times thicker gas than alarm setpoint value) (without piping delay time)
Gas alarm type	Single alarm(H)
Gas alarm indication	ALM lamp lighting(red)
Gas alarm action	Auto-recover
Trouble alarm・Self diagnosis	System failure/Sensor failure
Trouble alarm indication	FAULT lamp lighting(yellow)/content display
Trouble alarm action	Auto-recover
Alarm contact	No-voltage contact 1a・Non-exciting at normal(exciting at alarm) or exciting at normal(non-exciting at alarm)
Contact capacity	AC250V・0.5A/DC30V・0.5A(resistive load)
Transmission scheme	Three-wire analog transmission (in common with power supply<power supply, signal, common>)
Specification of Transmission	DC4~20mA (linear・load resistance less than 300Ω)
Transmission cable	Control-use shield cable(AWG 16)・3-core or 5-core(by using alarm contact)
Transmission distance	Less than 1.25km
Power supply	DC24V±10%
Power consumption	MAX. 1.1W
Cabling port	Flame proof packing method (Cable gland<G3/4> or Adapter A<NPT1/2> or Adapter B<NPT3/4>)
Piping port	Rc1/8(with PP elbow union for O.Dφ6-1t・PTFE pipe)
Initial clear	Approx. 25sec
Operating temperature	-10~40°C (non-rapidly-vary)
Operating humidity	30~80%RH(non-condensing)
Structure	Wall mounting type
Explosion-proof structure	Flame proof structure
Explosion-proof grade	II 2G Ex db IIC T6 Gb(ATEX) / Ex db IIC T6 Gb(IECEx)
Outer dimension	Approx. 148(W)×200(H)×88(D)mm(projection excluding)
Weight	Approx. 2.6kg
Color	Munsell 7.5BG5/2

Outline Drawings**Terminal Drawings**

DC24V	DC+	1
	—(common)	2
4-20mA	Sig+	3
	Alarm contact	4
	Alarm contact	5